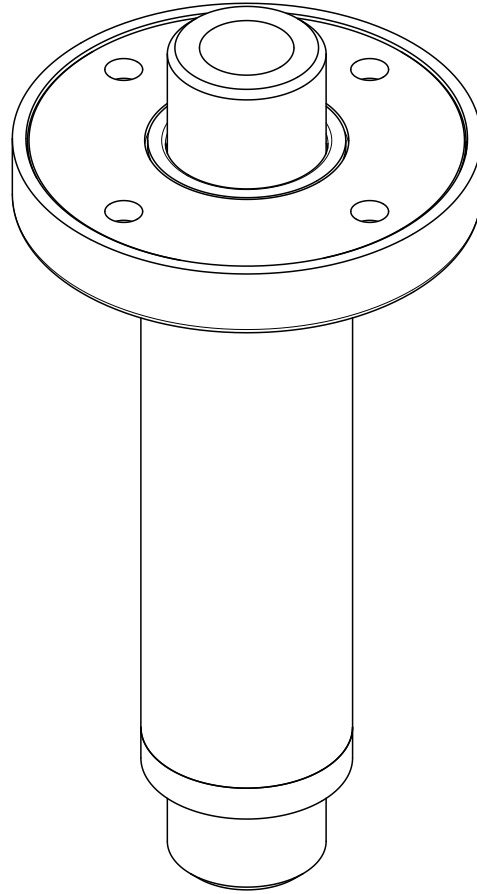




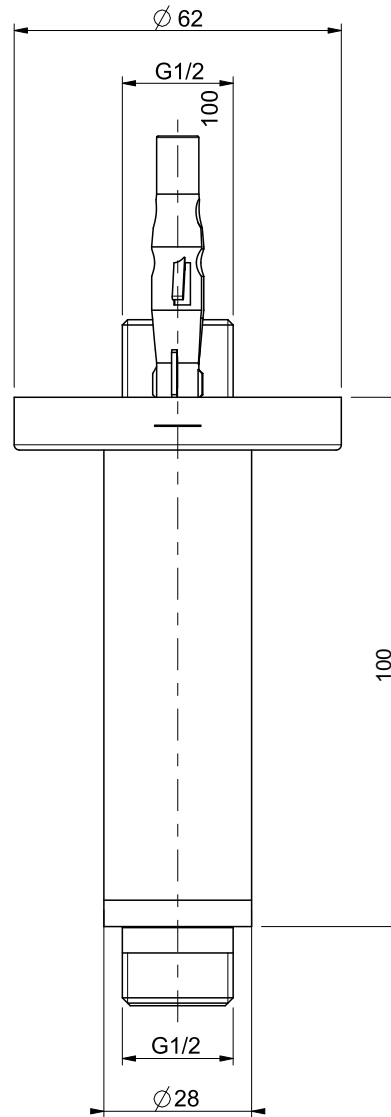
Technical Drawings & Product Specs  
CO10

COCOON  
[www.bycocoon.com](http://www.bycocoon.com)



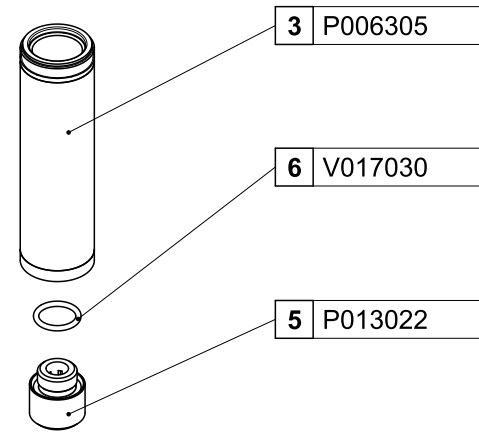
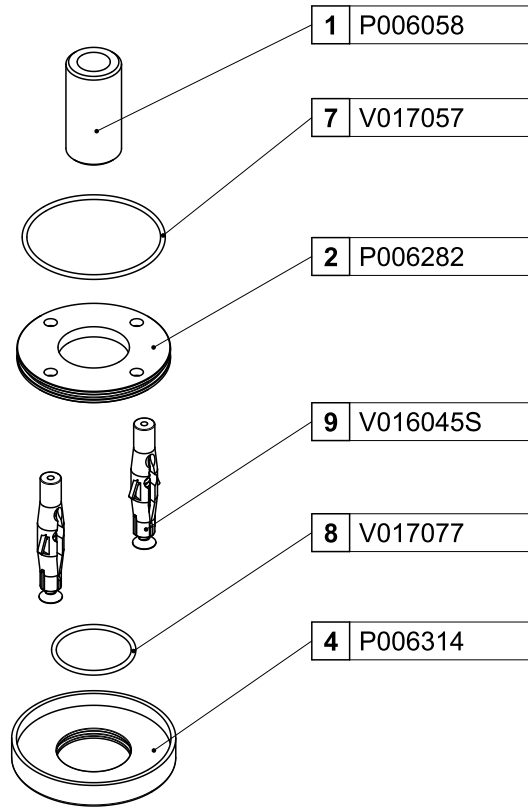
CO10

COCOON  
[www.bycocoon.com](http://www.bycocoon.com)



CO10

COCOON  
[www.bycocoon.com](http://www.bycocoon.com)



CO10

12.166

|             |                 |  |              |                       |             |
|-------------|-----------------|--|--------------|-----------------------|-------------|
| 9           | V016045S        | Kit 2 tasselli con viti ts autofilettanti              | 1            | VARI                  |             |
| 8           | V017077         | O-Ring 1.78x28.3                                       | 1            | EPDM                  | 0.259       |
| 7           | V017057         | O-Ring 1.78x50.52                                      | 1            | NBR_70_SH_A           | 0.613       |
| 6           | V017030         | O-Ring corda 2x14                                      | 1            | NBR /70 SH (A)        | 1.336       |
| 5           | P013022         | Raccordo attacco flessibile corpo alientazione         | 1            | CW614N-M_EN-12164     | 36.277      |
| 4           | P006314         | Rosone d.62 f.28 braccio a soffitto                    | 1            | ACCIAIO_INOX_AISI_303 | 97.074      |
| 3           | P006305         | Braccio a soffitto saldato                             | 1            | VARI                  | 145.399     |
| 2           | P006282         | Flangia braccio doccia                                 | 1            | CW614N_EN12164        | 81.029      |
| 1           | P006058         | Gambo filettato G1/2 per canna lavabo tre fori COLEMAN | 1            | CW614N-M_EN-12164     | 74.785      |
| <b>Pos.</b> | <b>Dis. nr.</b> | <b>Descrizione</b>                                     | <b>Q.ta'</b> | <b>Materiale</b>      | <b>Peso</b> |



create your professional account  
and order safely online at  
[www.bycocoon.com](http://www.bycocoon.com)

for technical assistance email to  
[support@bycocoon.com](mailto:support@bycocoon.com)

**COCOON**  
[www.bycocoon.com](http://www.bycocoon.com)