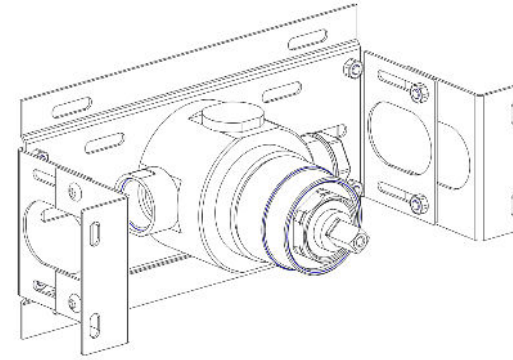
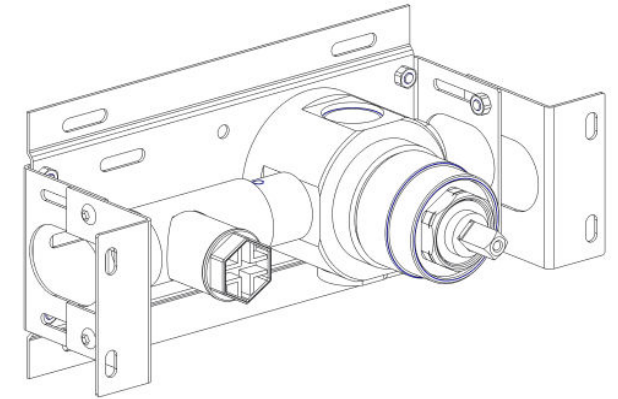


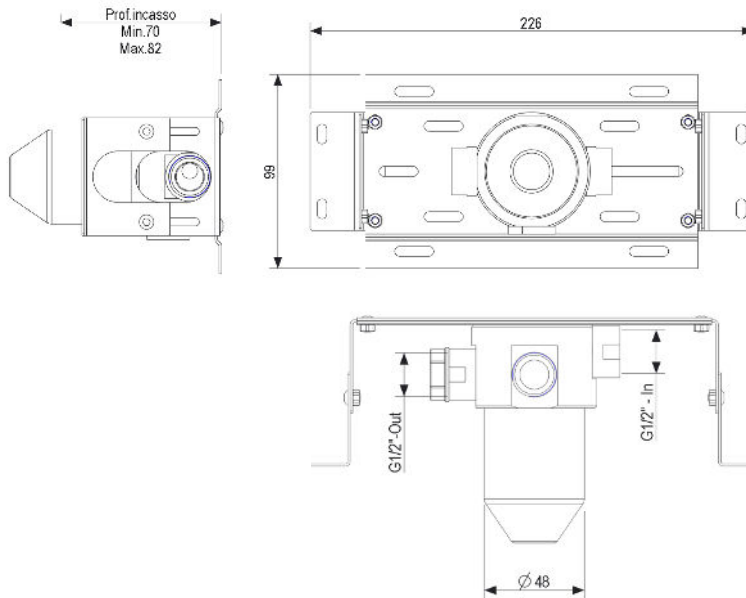
BOX01-VALVE-2019



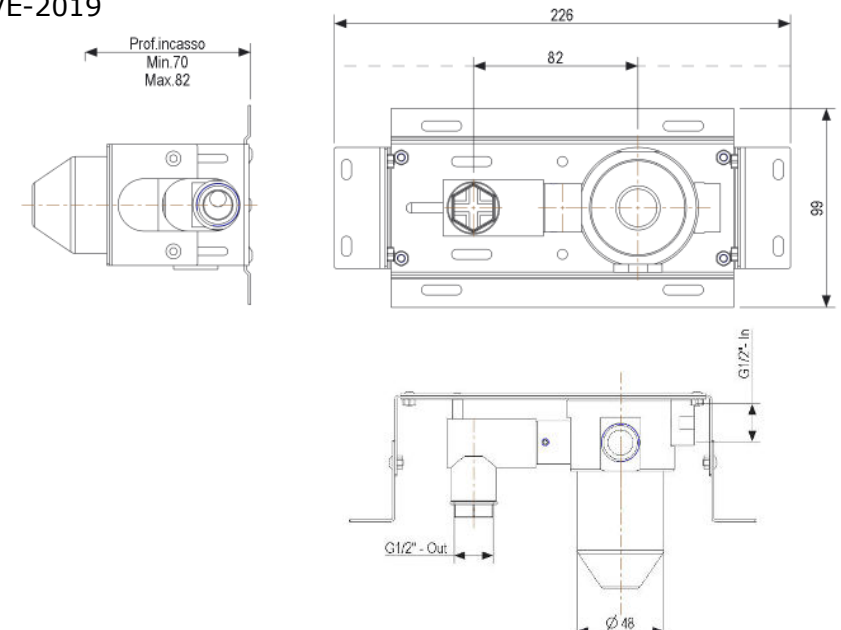
BOX02-VALVE-2019



BOX01-VALVE-2019

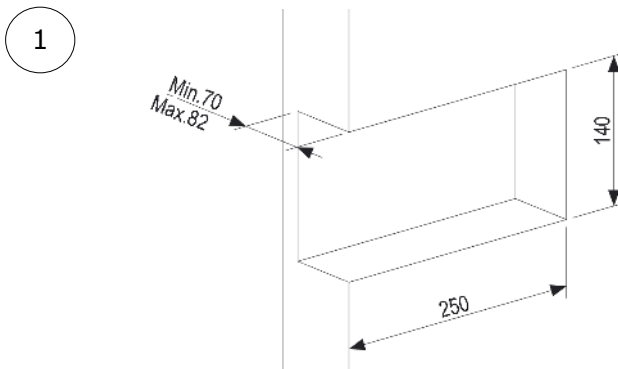
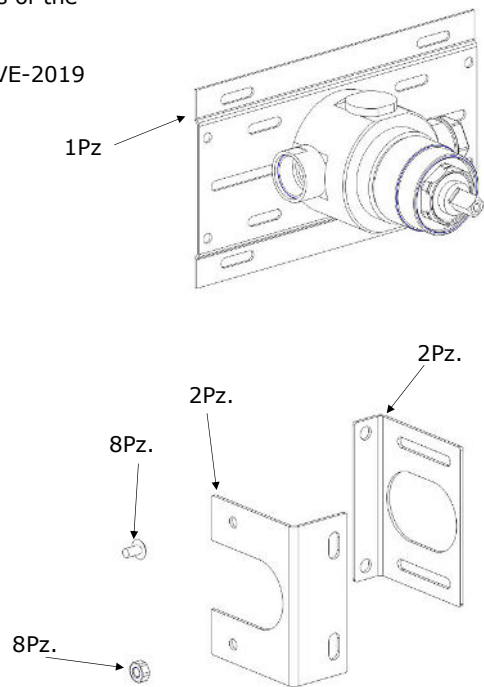


BOX02-VALVE-2019

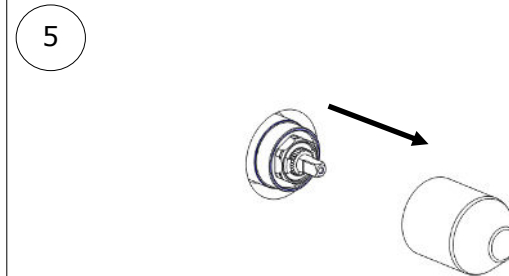
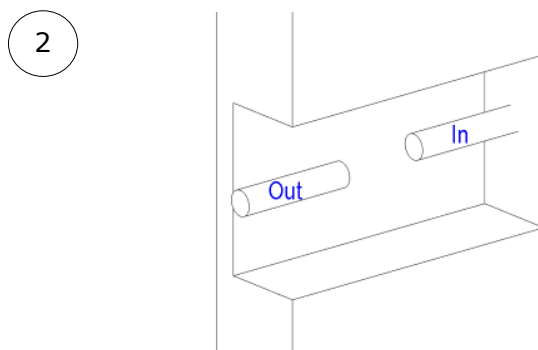
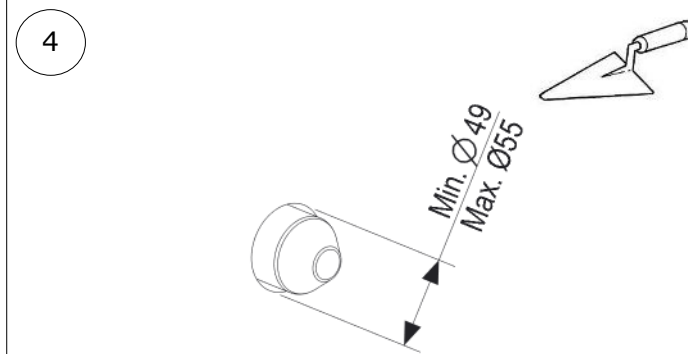


The contents of the box:

BOX01-VALVE-2019

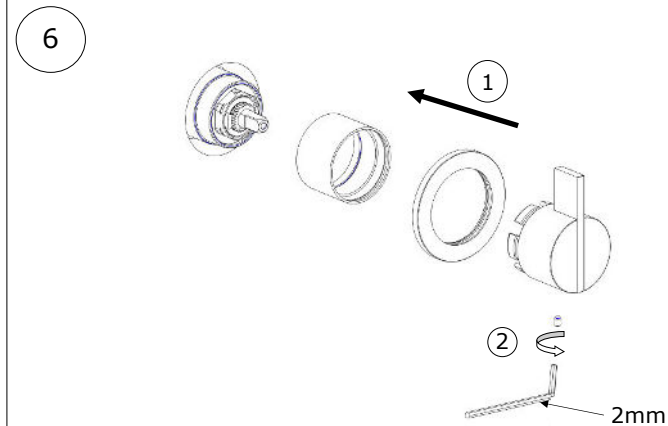
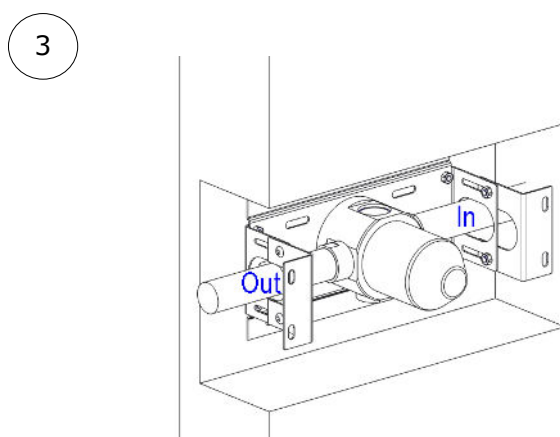
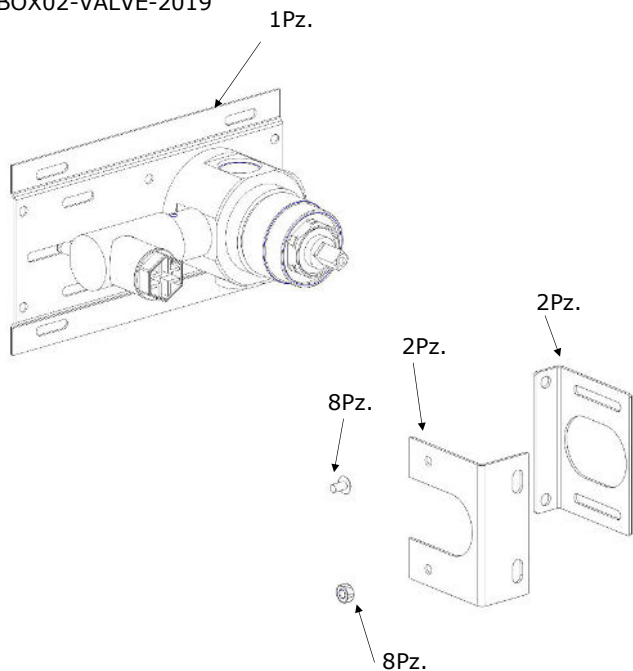



Depth Min.70 Max.82 with wall cladding



The contents of the box:

BOX02-VALVE-2019



3.1  **After the operation 3, Test the plant !**  
**If the test is Ok, go with the point 4!**

7 Clean all the surface with the apposite product, for the stainless steel faucet use water with a neutral detergent.