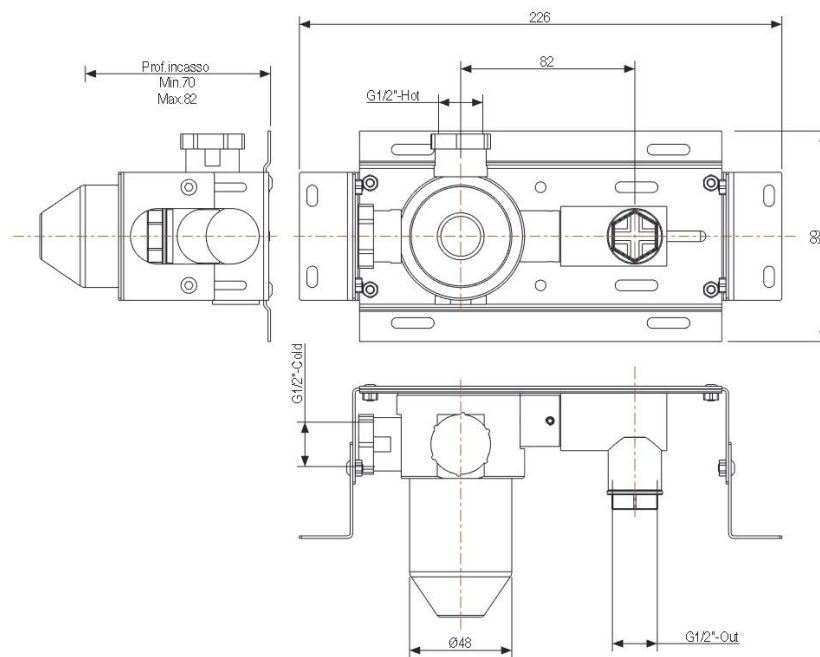
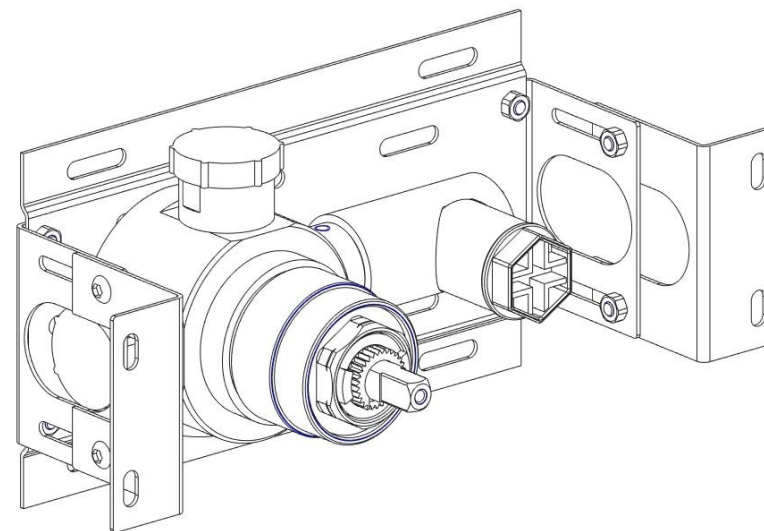


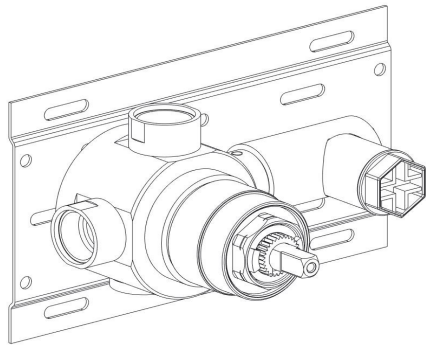
BOX02-R-2019



The contents of the box:

BOX02-R-2019

1Pz.



8Pz.

2Pz.

2Pz.

8Pz.

8Pz.

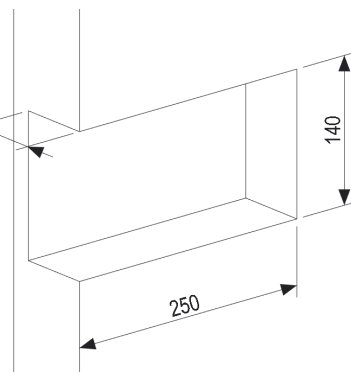
2Pz.

2Pz.

8Pz.

1

Min.70
Max.82

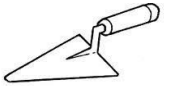
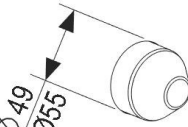


Depth Min.70 Max.82 with wall cladding

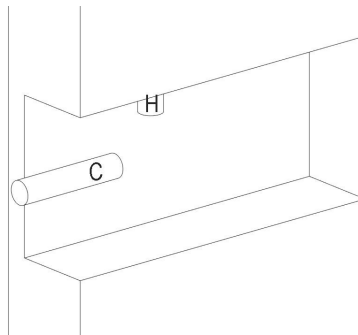
4

Min. \varnothing 49
Max. \varnothing 55

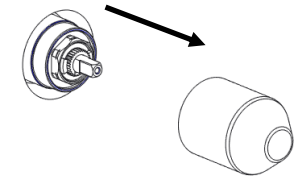
\varnothing 33



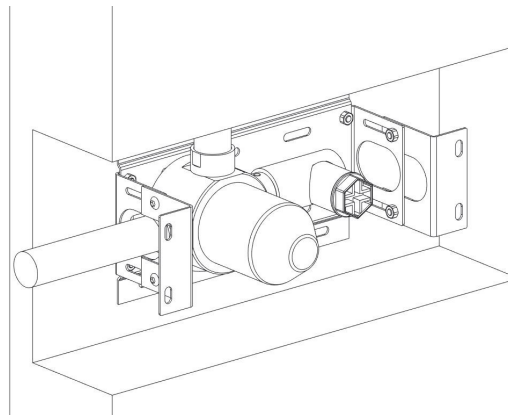
2



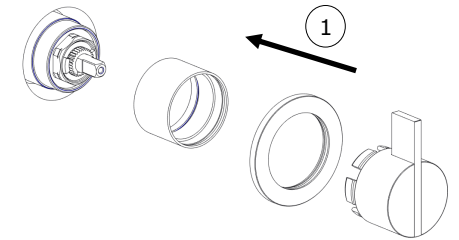
5



3



6



2

2mm

3.1



After the operation 3, Test the plant !

If the test is Ok, go with the point 4!

7

Clean all the surface with the apposite product, for the stainless steel faucet use water with a neutral detergent.