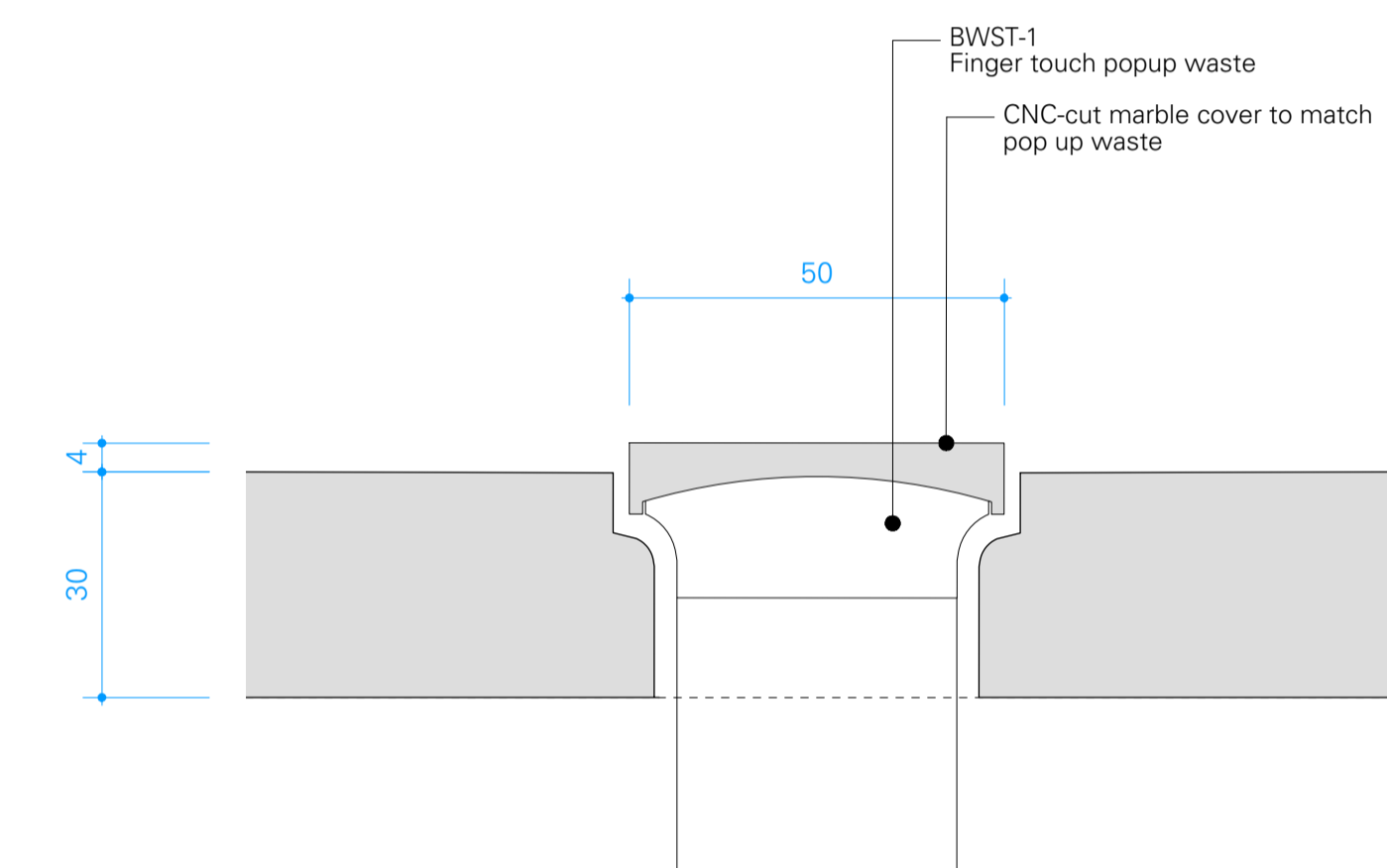
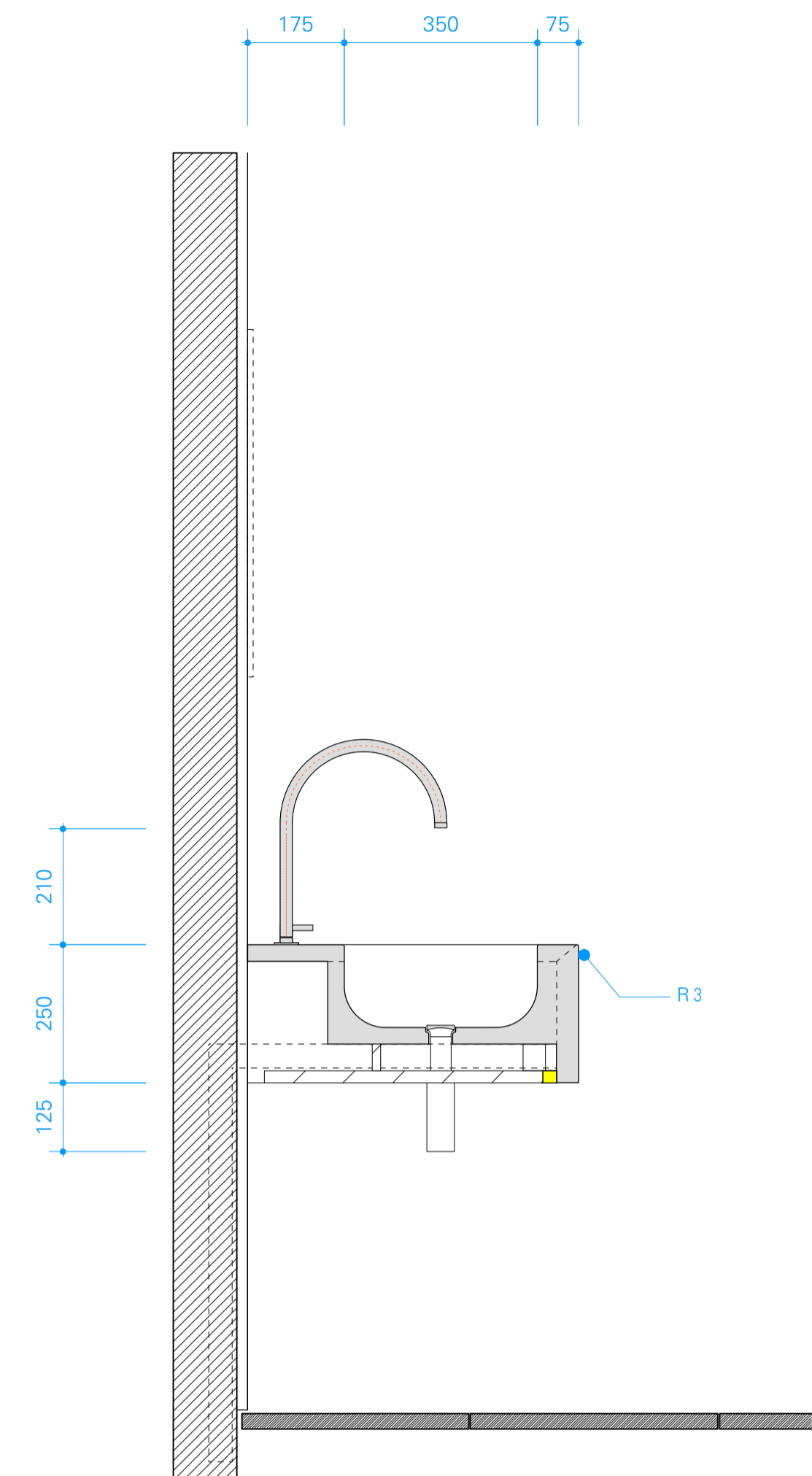
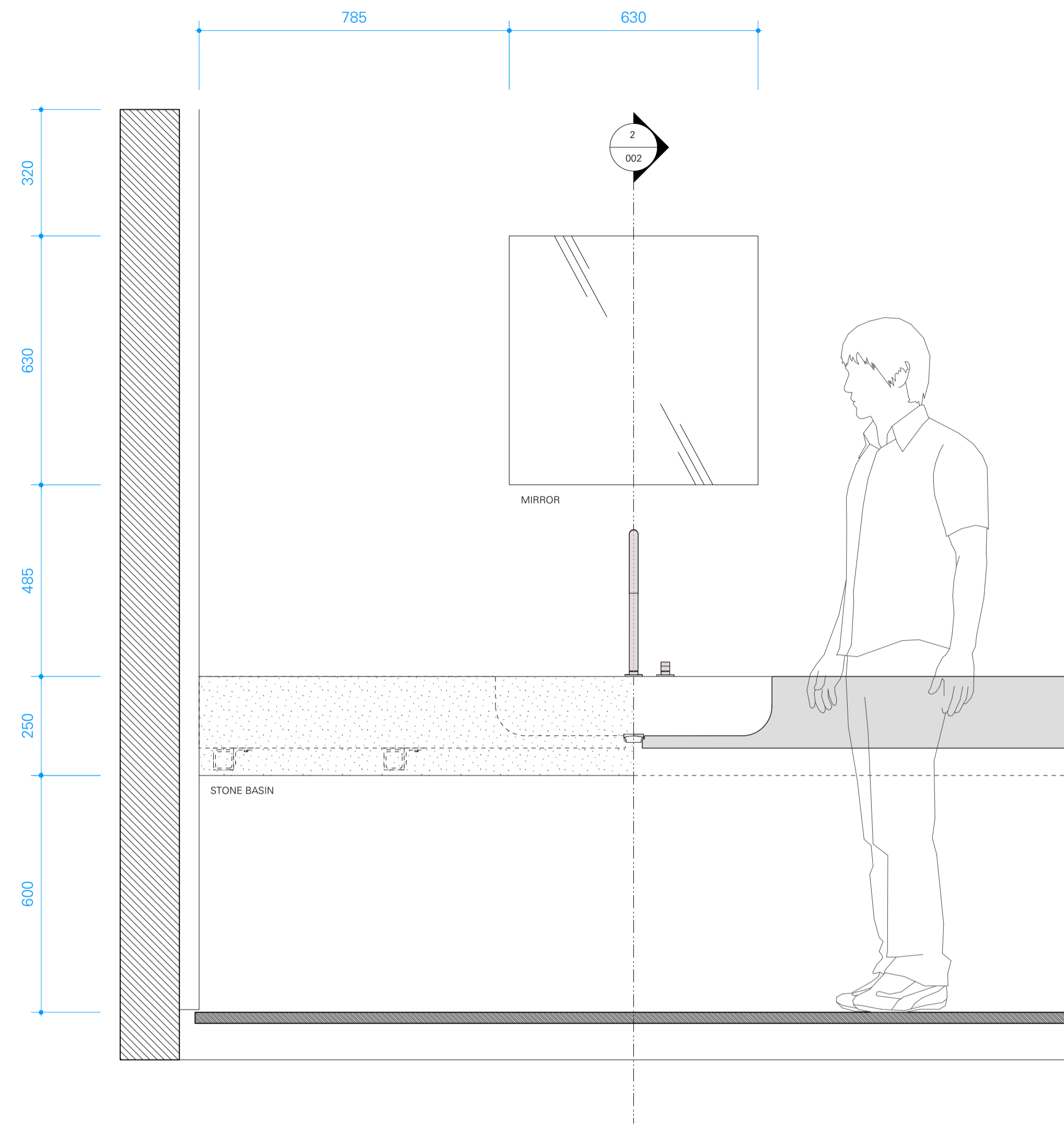


© Drawing is copyright
 Do not scale
 All dimensions to be checked on site
 All construction materials, workmanship etc to meet The National Building Regulations and Codes of Practice.
 All discrepancies within these drawings are to be reported to the Contract Administrator.

NOT FOR CONSTRUCTION

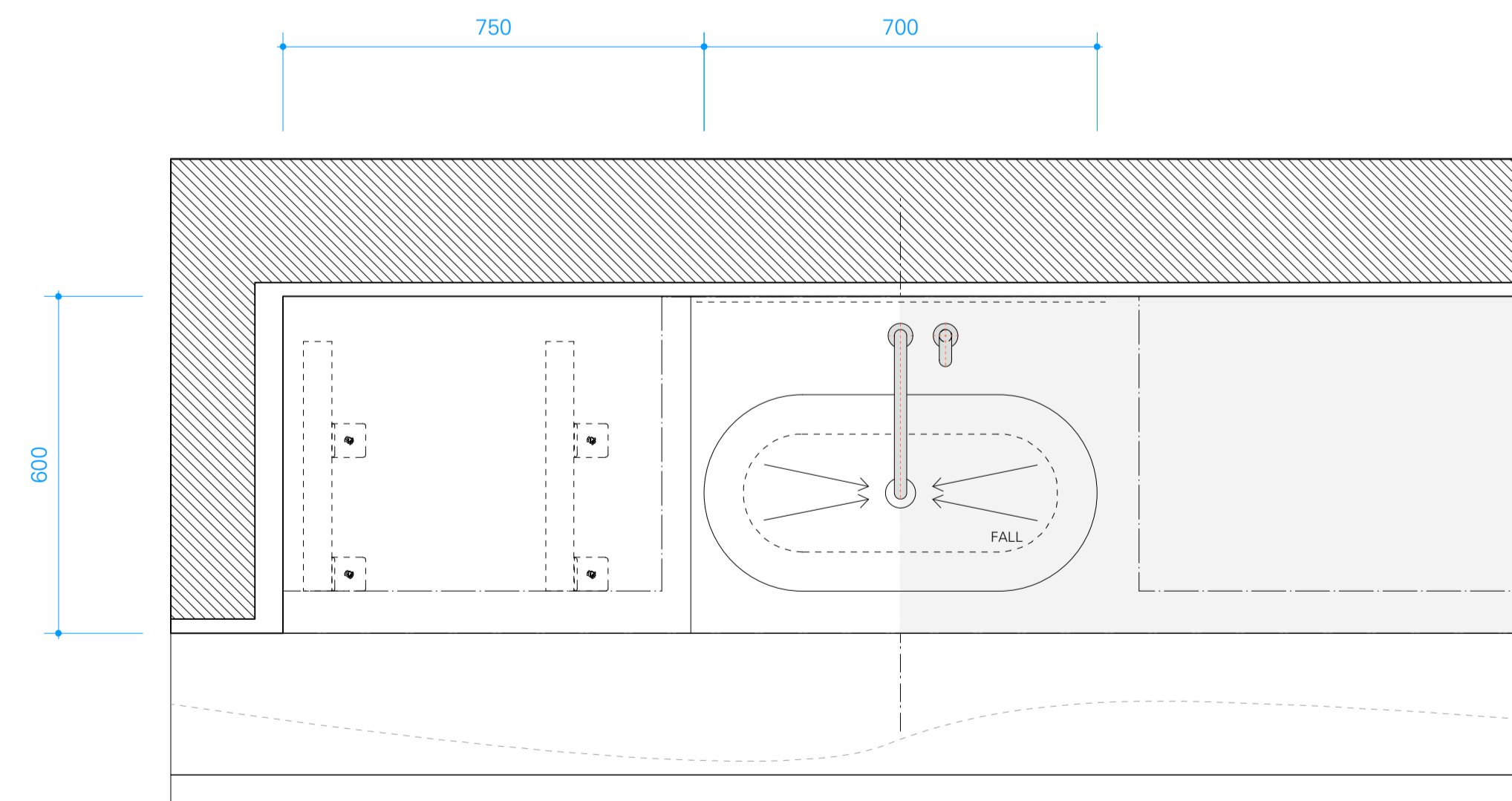


Rev	Date	Description
A	30.09.2019	PLAN AND BASIN REV

1 ELEVATION WASH BASIN
 Scale 1:10 @A1

2 SECTION WASH BASIN
 Scale 1:10 @A1

3 SECTION DRAIN DETAIL
 Scale 1:1 @A1



2 PLAN WASH BASIN
 Scale 1:10 @A1



Client:
COCOON

Architect:
John Pawson
 Unit B 70-78 York Way London N1 9AG
 Telephone +44 (0)20 7837 2929
 Facsimile +44 (0)20 7837 4949
 email@johnpawson.com

Project:
COCOON POP-UP

Drawing Title:
COCOON SHOWROOM COUNTER BASIN

Scale: 1:20 @ A1
 1:40 @ A3

Drawing No.:
JP 002

Job No:
 1820

Date:
 02 OCTOBER 19

Revision: **A**