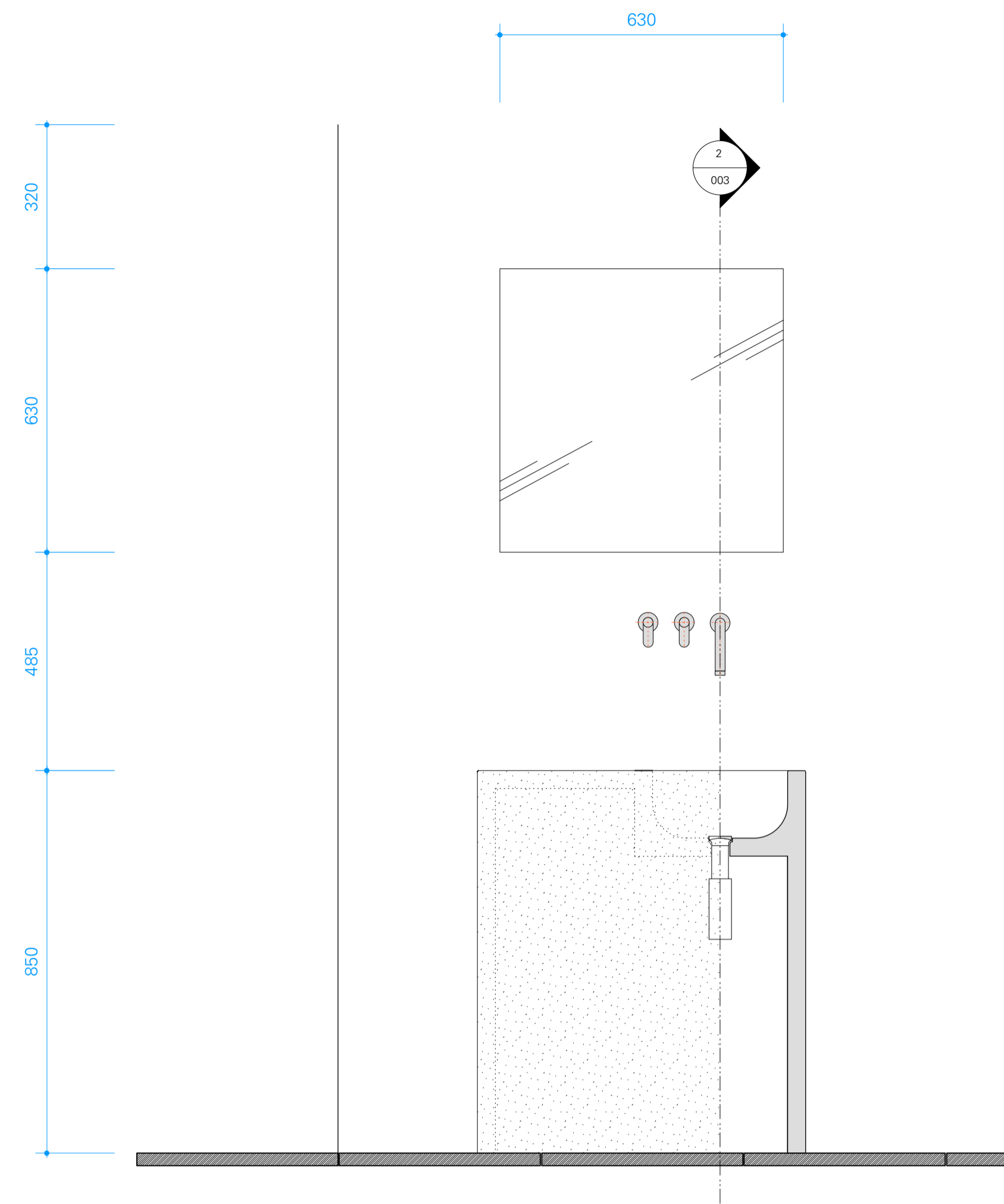
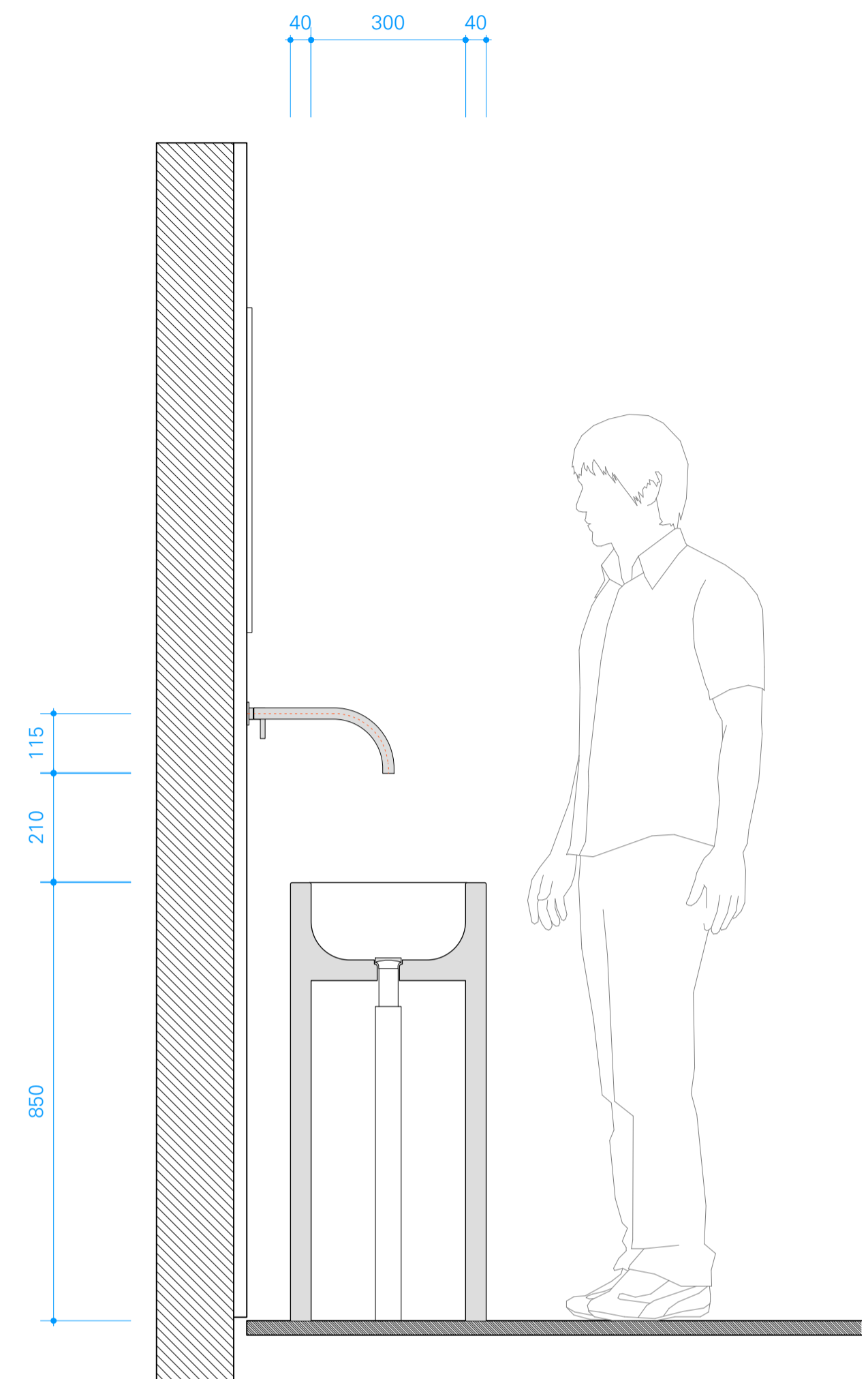


© Drawing is copyright
 Do not scale
 All dimensions to be checked on site
 All construction materials, workmanship etc to meet The National Building Regulations and Codes of Practice
 All discrepancies within these drawings are to be reported to the Contract Administrator.

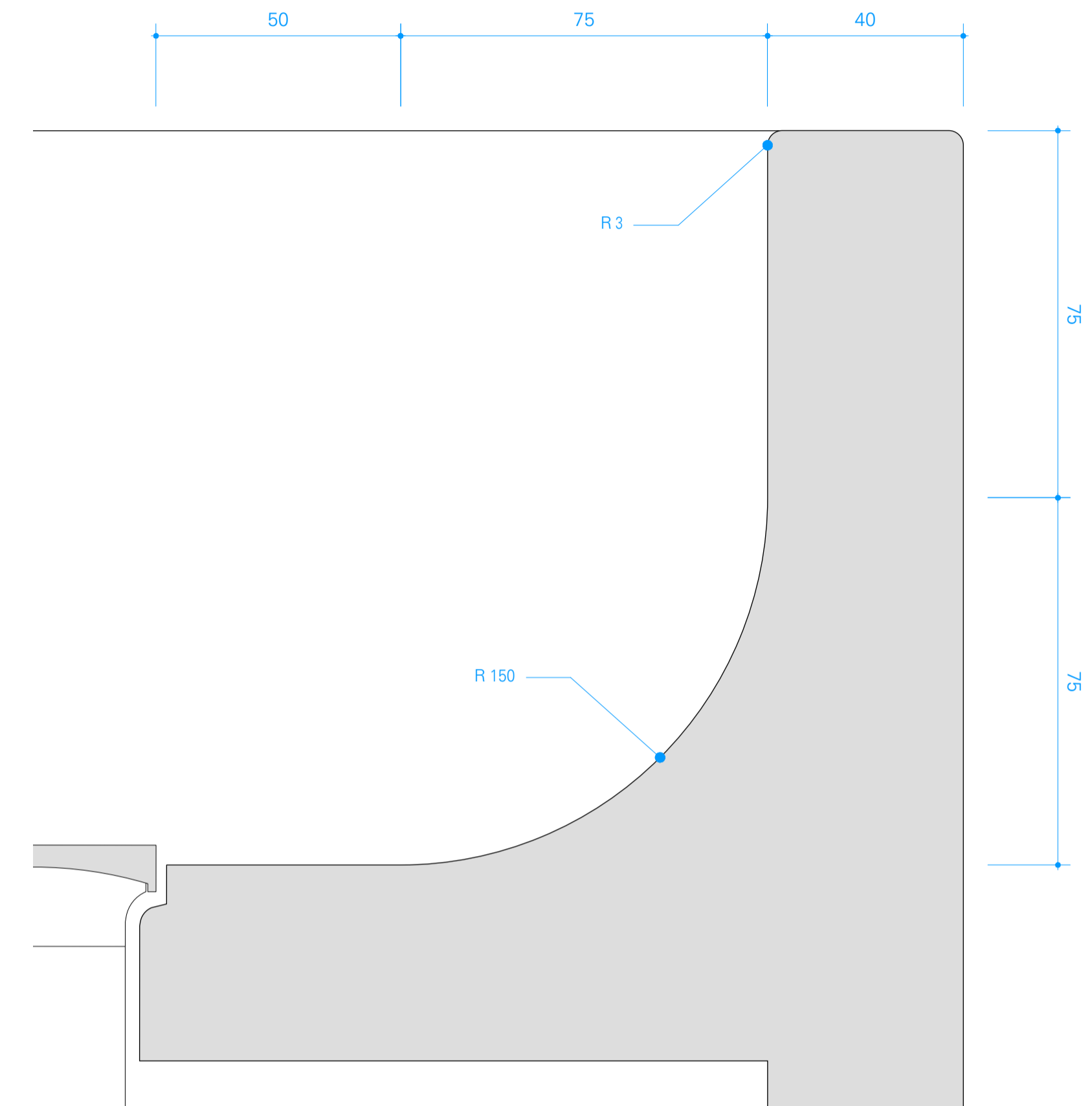
NOT FOR CONSTRUCTION



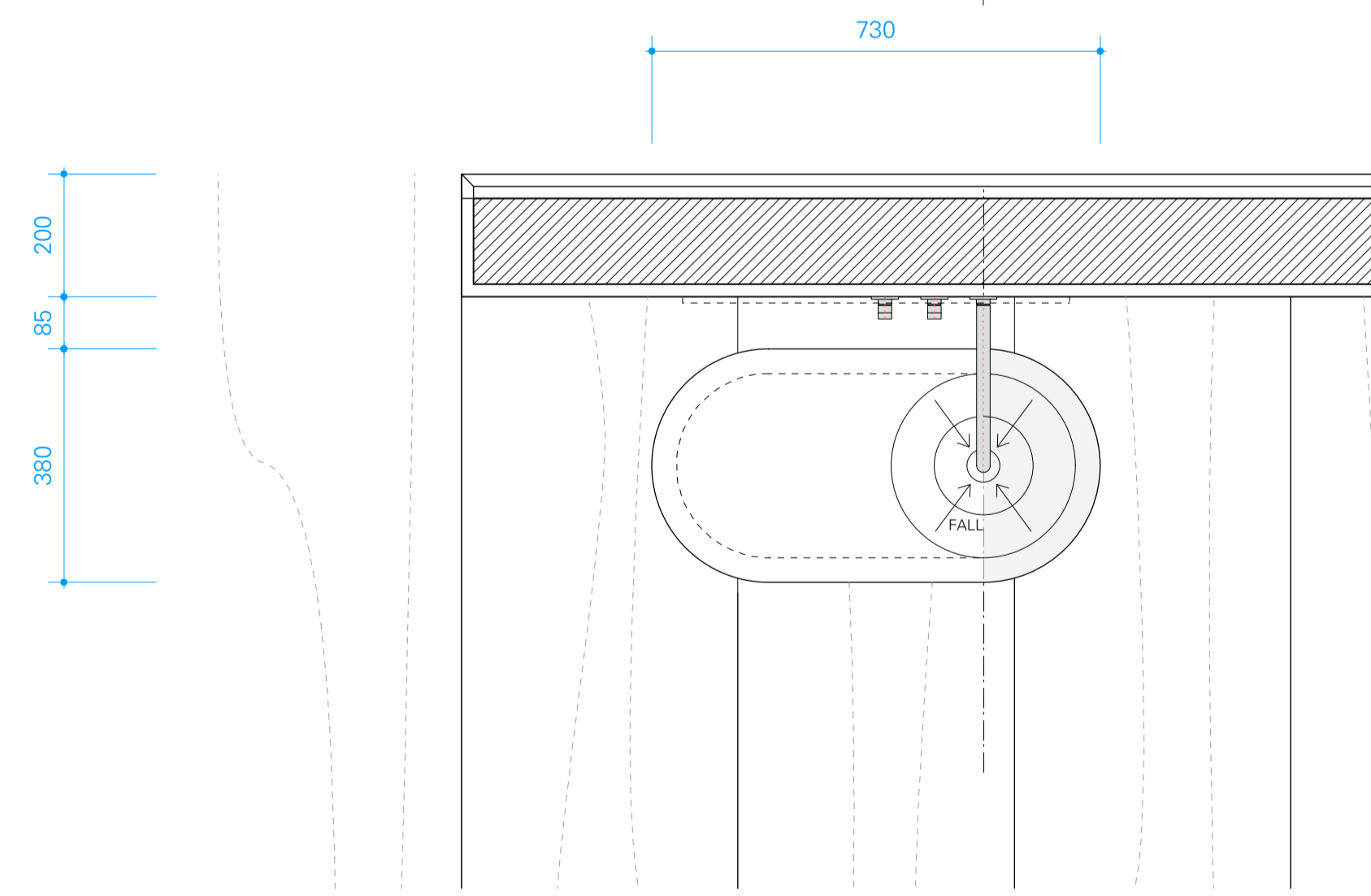
1 ELEVATION WASH BASIN
 Scale 1:10 @A1



2 SECTION WASH BASIN
 Scale 1:10 @A1



3 SECTION WASH BASIN DETAIL
 Scale 1:1 @A1



2 PLAN WASH BASIN
 Scale 1:10 @A1



Rev	Date	Description
A	30.09.2019	PLAN AND BASIN REV

Client:
COCOON

Architect:
John Pawson
 Unit 5 70-78 York Way London N1 9AG
 Telephone +44 (0)20 7837 2929
 Facsimile +44 (0)20 7837 4949
 email@johnpawson.com

Project:
COCOON POP-UP

Drawing Title:
COCOON SHOWROOM COLUMN BASIN

Scale: 1:20 @ A1
 1:40 @ A3

Drawing No:
JP 003

Job No:
 1820

Date:
 02 OCTOBER 19

Revision: **A**