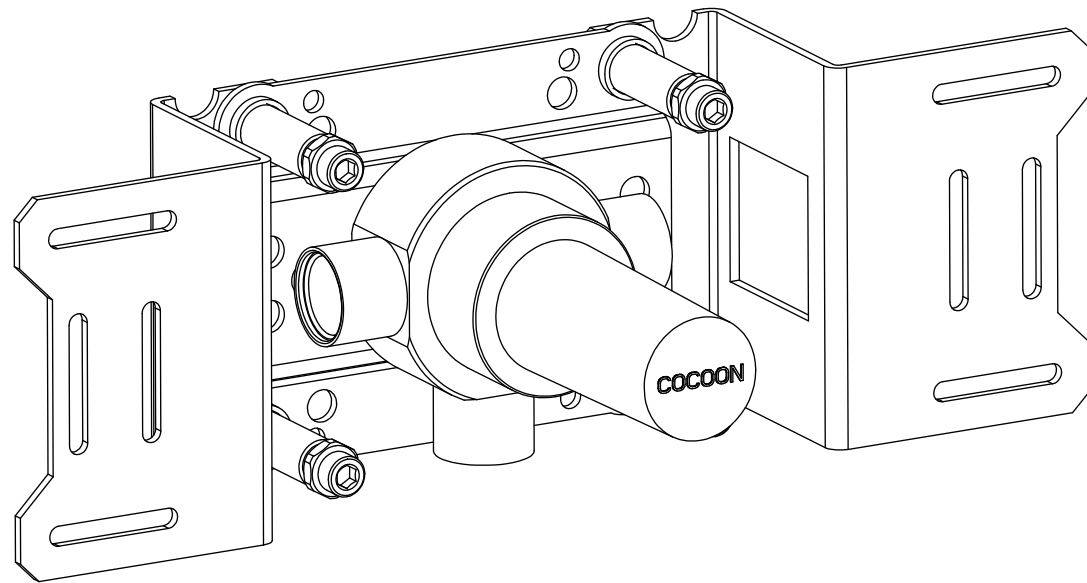


John Pawson Built-in hydro-progressive mixer
1/2" connection to copper, steel, iron or pex pipe work.
Article number: BOX11

John Pawson
by
COCOON

Dimensioned drawing



prof. incasso
min:100
max:110

