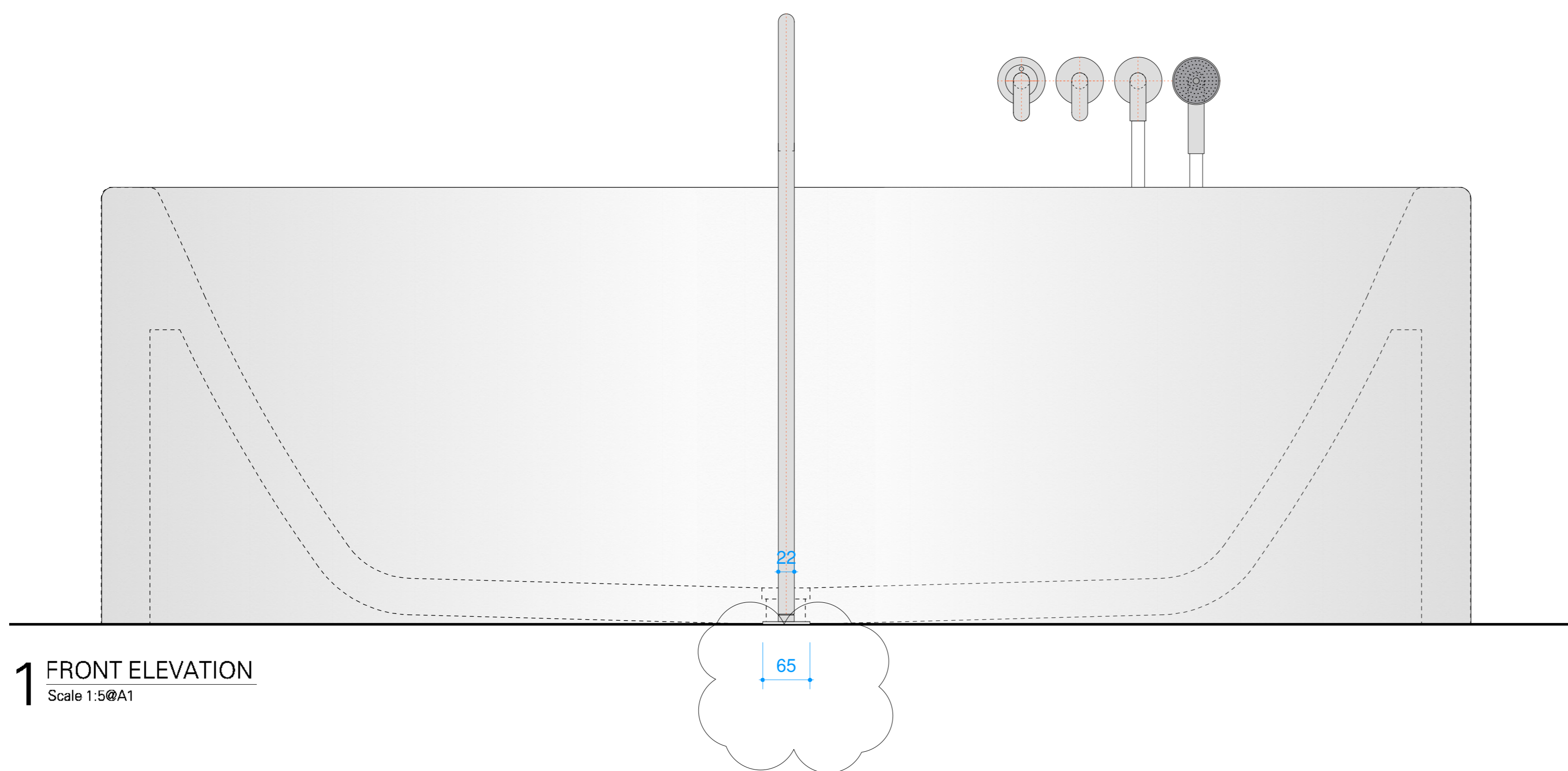
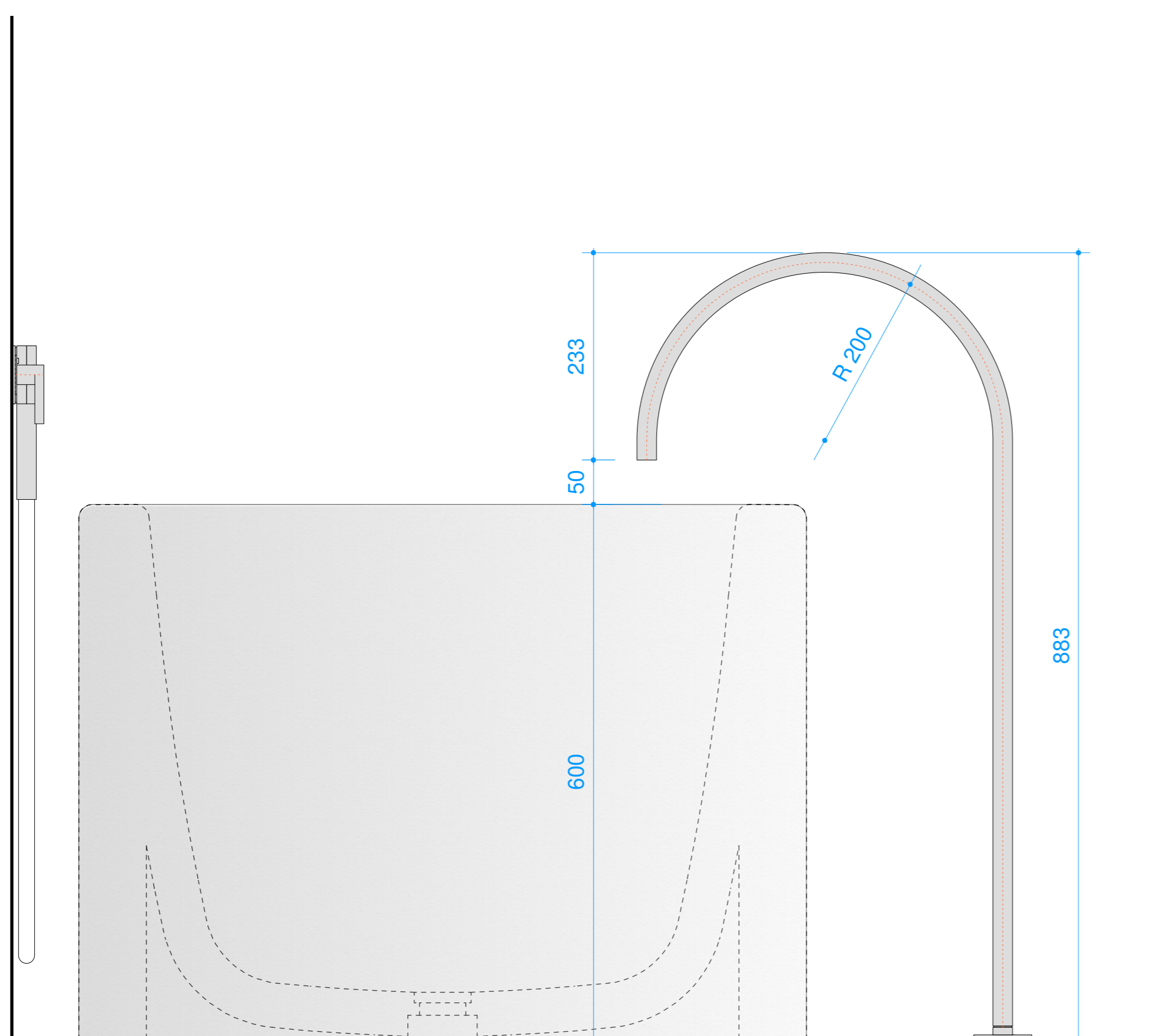


© Drawing is copyright
 Do not scale
 All dimensions to be checked on site
 All construction materials, workmanship etc to meet The National Building Regulations and Codes of Practice
 All discrepancies within these drawings are to be reported to the Contract Administrator.

NOT FOR CONSTRUCTION



1 FRONT ELEVATION
 Scale 1:5@A1



2 SIDE ELEVATION
 Scale 1:5@A1



Rev	Date	Description
A	17/06/19	ROSE SIZE
-	31/05/19	CONCEPT DESIGN

Client:
 COCOON

Architect:
John Pawson
 Unit 9 70-72 York Way London N1 9AG
 Telephone +44 (0)20 7837 2929
 Facsimile +44 (0)20 7837 4949
 email@ohnpawson.com

Project:

Drawing Title:
 LARGE FLOOR BATH FILLER

Scale:
 1:1 @ A1
 1:2 @ A3

Drawing No.:
 JP 35.2

Job No:
 1820

Date:
 17 JUNE 2019
 Revision: A